

1

2

3

4

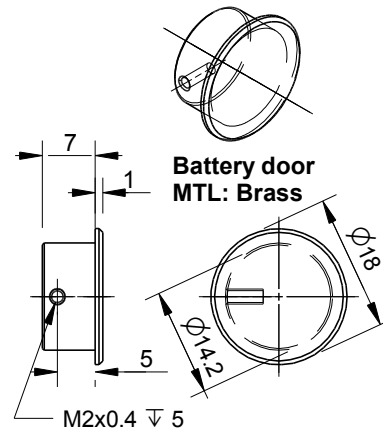
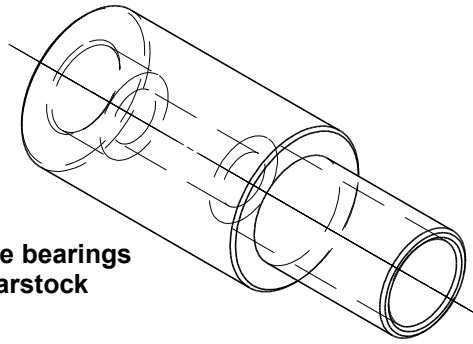
5

6

A

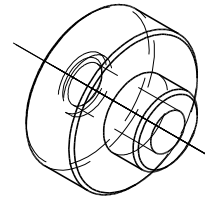
A

Housing for spindle bearings  
MTL: Aluminium barstock



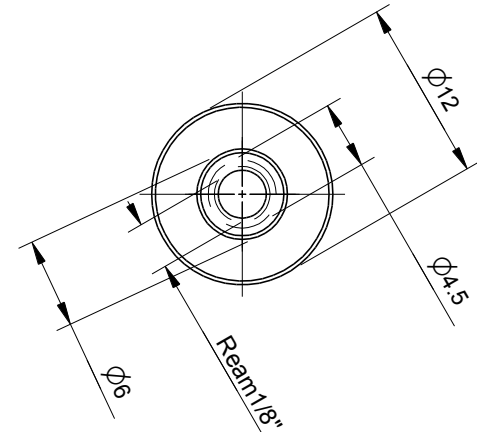
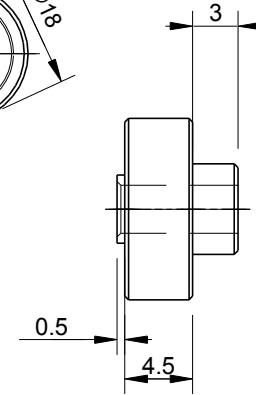
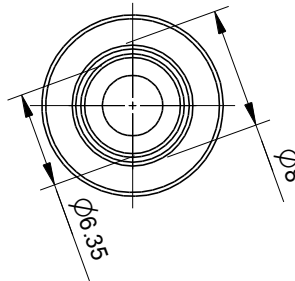
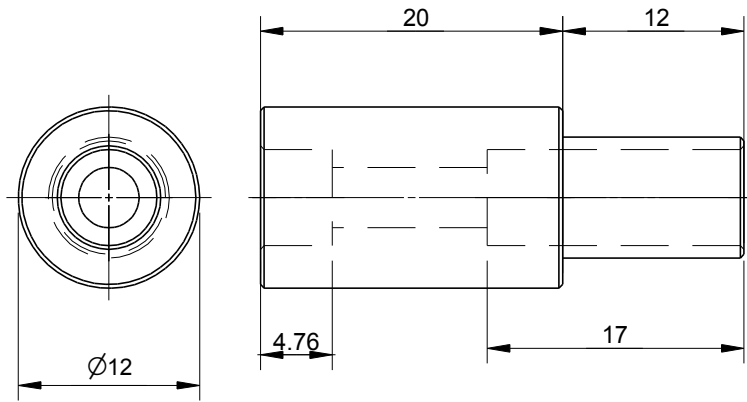
Battery door  
MTL: Brass

Rotor hub  
MTL: Brass



B

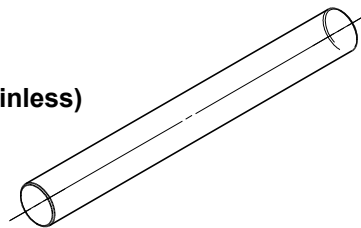
B



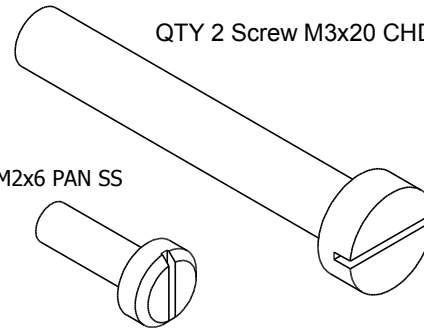
C

C

Spindle  
Stock item (A2 stainless)



QTY 1 M2x6 PAN SS

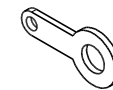


QTY 2 Screw M3x20 CHD SS

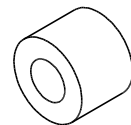
QTY 2 Solder tag M3



QTY 1 solder tag M2

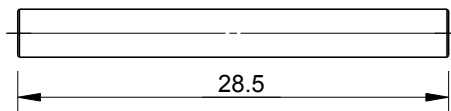
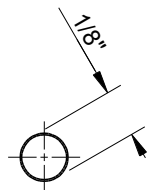


QTY 2 Bearing 1/4" x 1/8" x 3/16"



D

D



Drawn by <b>JItK</b>	CHKD <b>BtcK</b>	<b>12 May 2016</b>	Scale <b>NTS</b>
-------------------------	---------------------	--------------------	---------------------

**Minimag Co.**  
**BRIGHSTONE**  
Isle of Wight



**Tripulse motor - small parts**

Tripulse small parts.ad\_drw

Edition  
**1**

Sheet  
**1 of 1**