

1

2

3

4

5

6

A

A

B

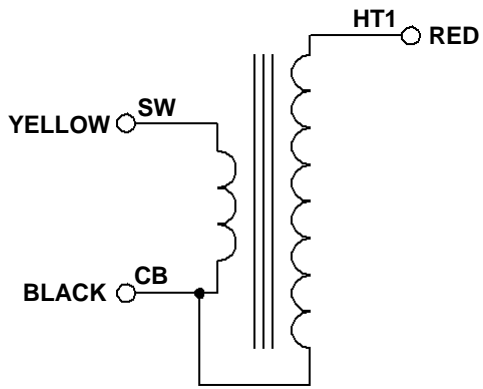
B

C

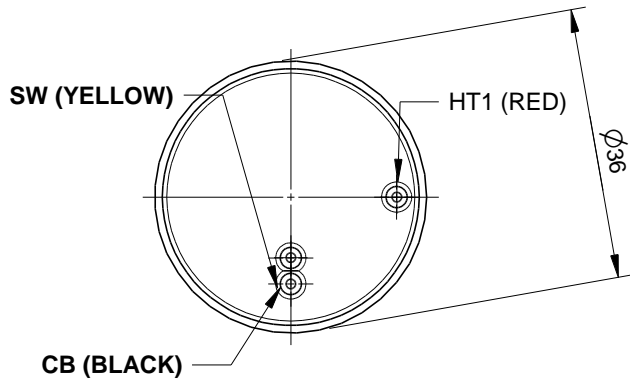
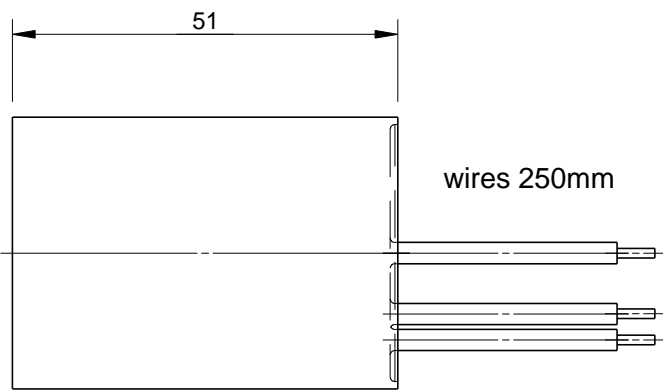
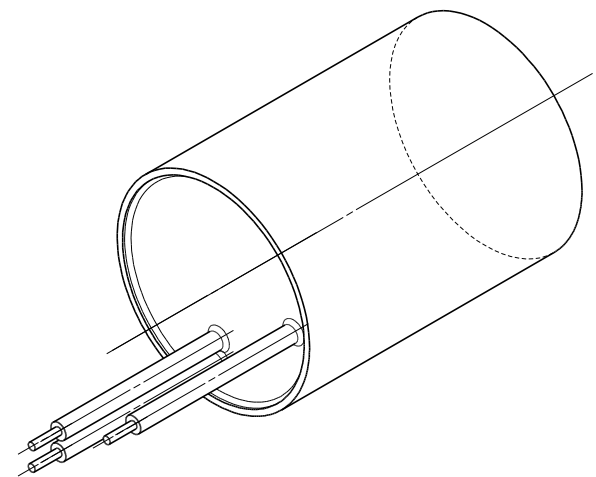
C

D

D




Set plug gap 0.025" maximum
DO NOT:
 Operate with HT lead disconnected.
 Exceed the specified plug gap.



For best results, use this coil with the Minimag MIC-1 Ignition Controller on a 6 volt supply. For higher voltages a suitable ballast resistor may be needed. Please ask.

Operation with breaker points is possible. An external condenser will be needed and will be supplied FOC on request.

Drawn by	jk	CHKD	bk		2 Jan 2011	Scale	1:1
Minimag Co. LINGFIELD Surrey Made in England					Novus-1 Ignition Coil		
					Edition	Sheet	
					A	1 of 1	

1

2

3

6