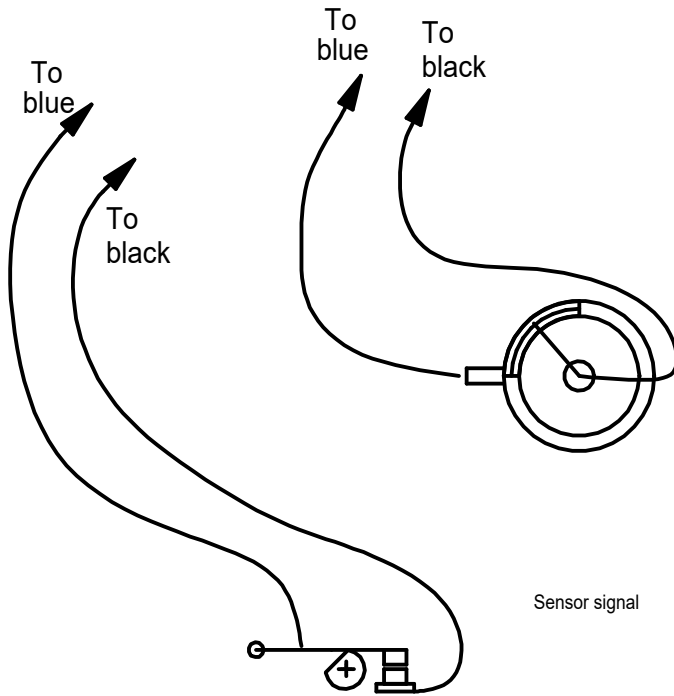
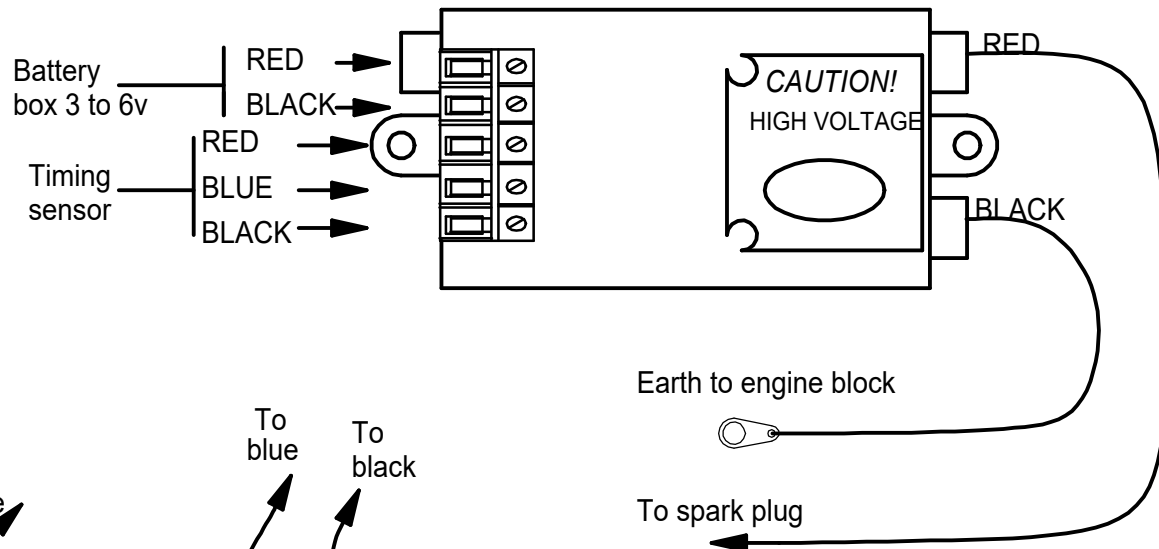
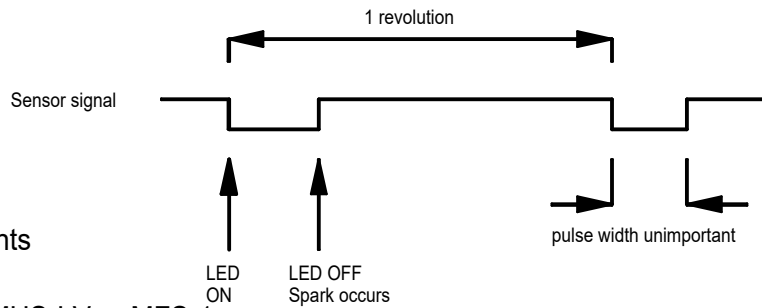


Wiring Diagram



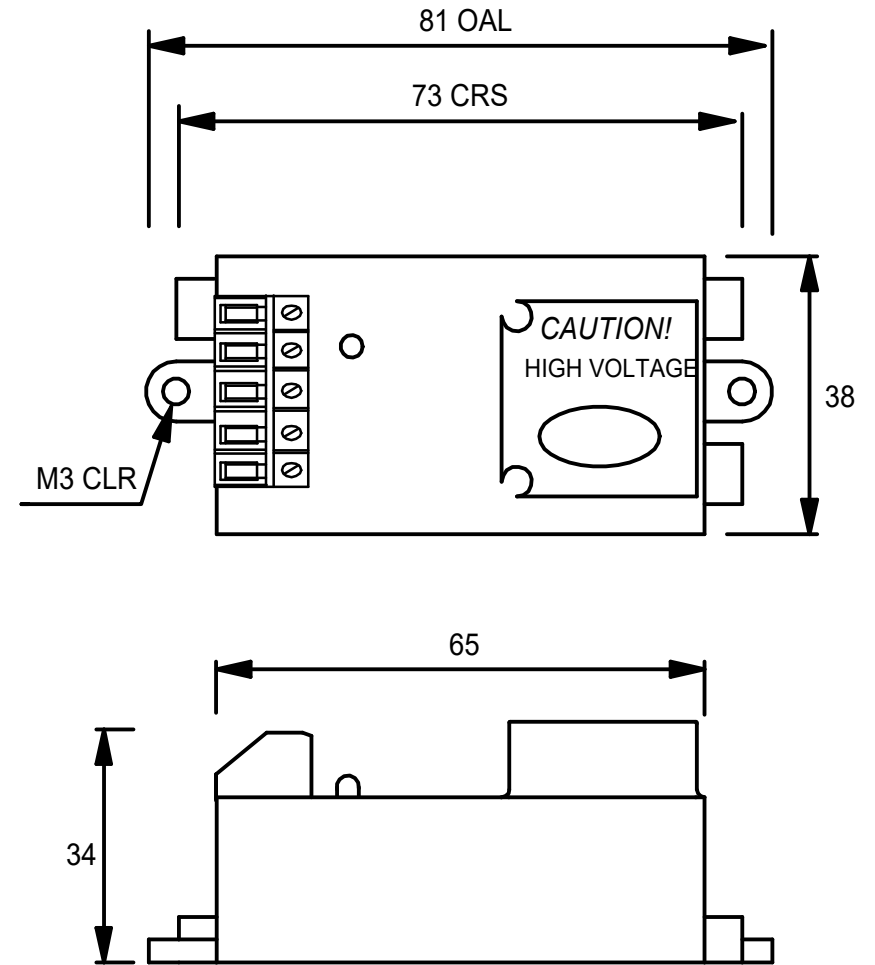
Triggering with wiping contacts

Triggering with contact points



Use only low voltage Hall sensor types MHS-LV or MFS-1
 If running above 3V any sensor can be used.

Outline Drawing and Data



- 3V Maximum 50Hz sustained
- 4.5V Maximum 75Hz sustained
- 6V Maximum 100Hz sustained

Important! Do not exceed 6 volts supply.

DRWN jk	CHKD	Date 1 November 2017
DRWG 1 of 1	REV4	File MCL-1.fcw

Minimag Co.
 Brighthstone, Isle of Wight, UK

Minimag Capacitor Ignition Type MCL-1

Outline & Connections