

1

2

3

4

5

6

A

B

C

D

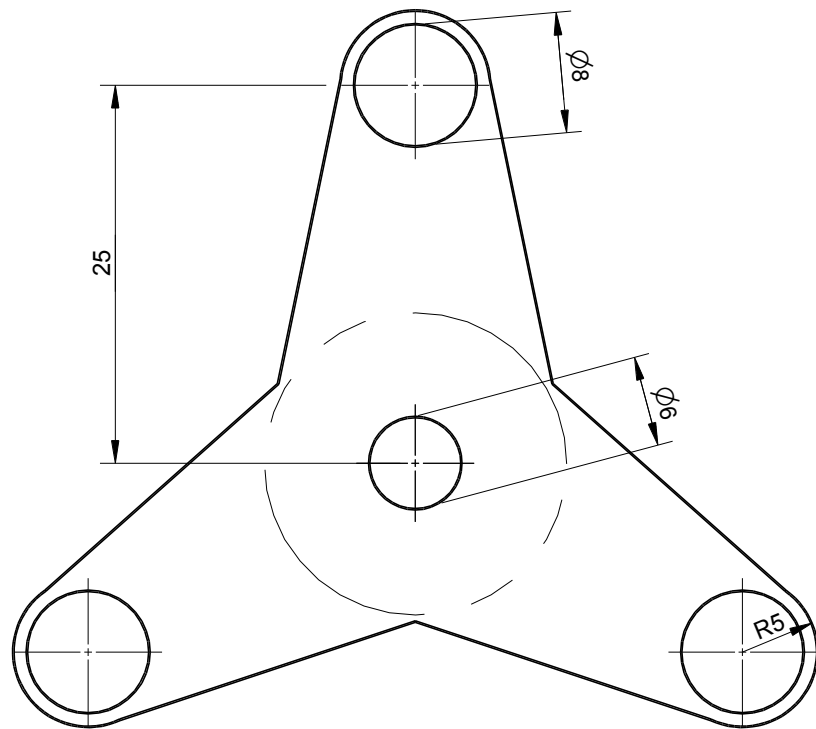
A

B

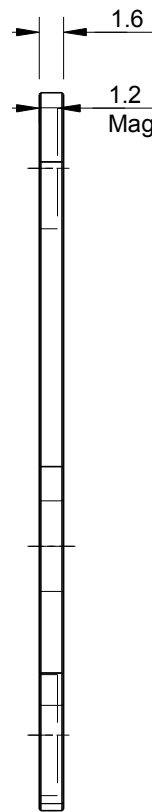
C

D

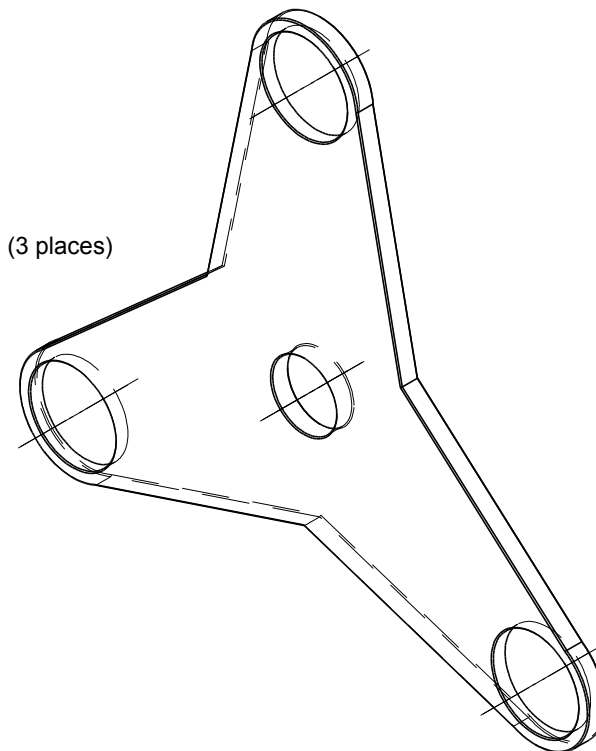
Three magnet recesses on 50 PCD



Sides are formed of tangential lines between imaginary 20mm centre circle and the 5mm outer arcs.



Magnet recesses (3 places)



Drawn by JltK	CHKD BtcK	MTL: double-sided FR4 (PCB laminate)	May 12 2016	Scale 2:1
-------------------------	---------------------	--	-------------	---------------------

Minimag Co.
BRIGHSTONE
Isle of Wight



Tripulse Rotor

TripulseRotor.ad_drw

Edition
1

Sheet
1 of 1