

1

2

3

4

5

6

A

B

C

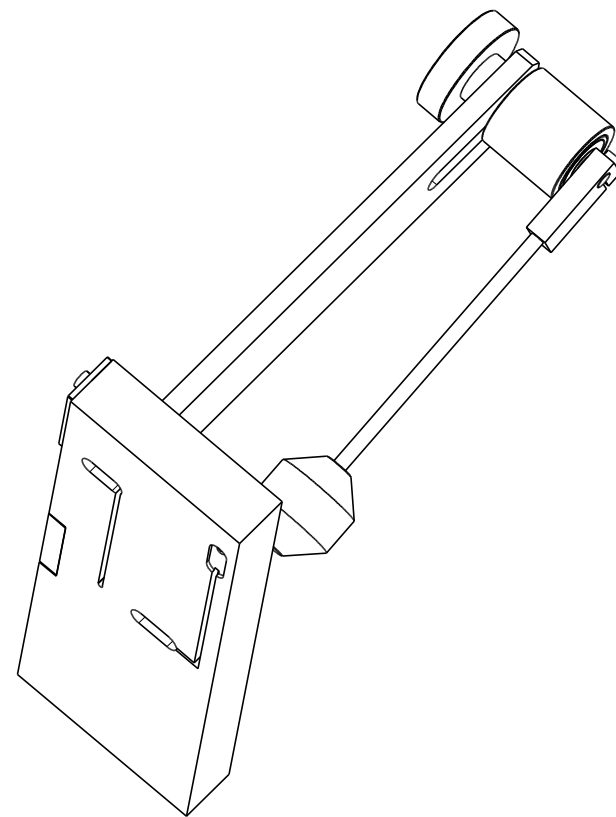
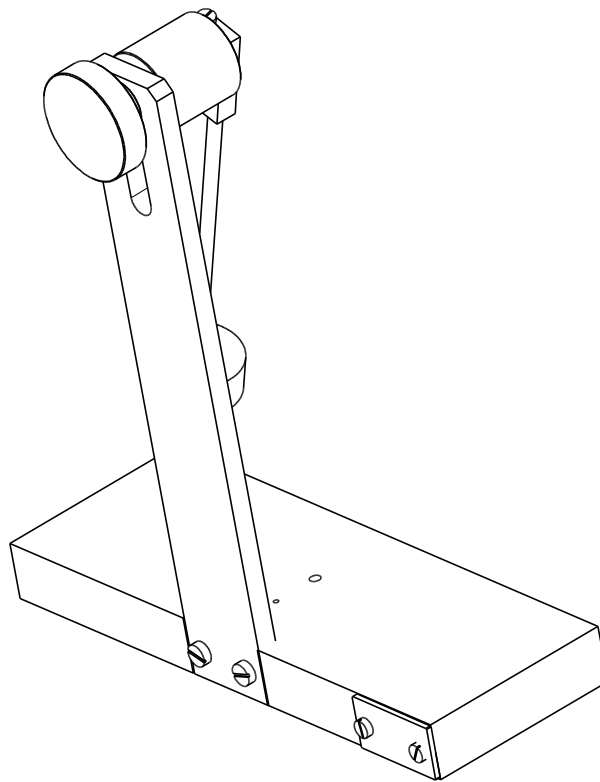
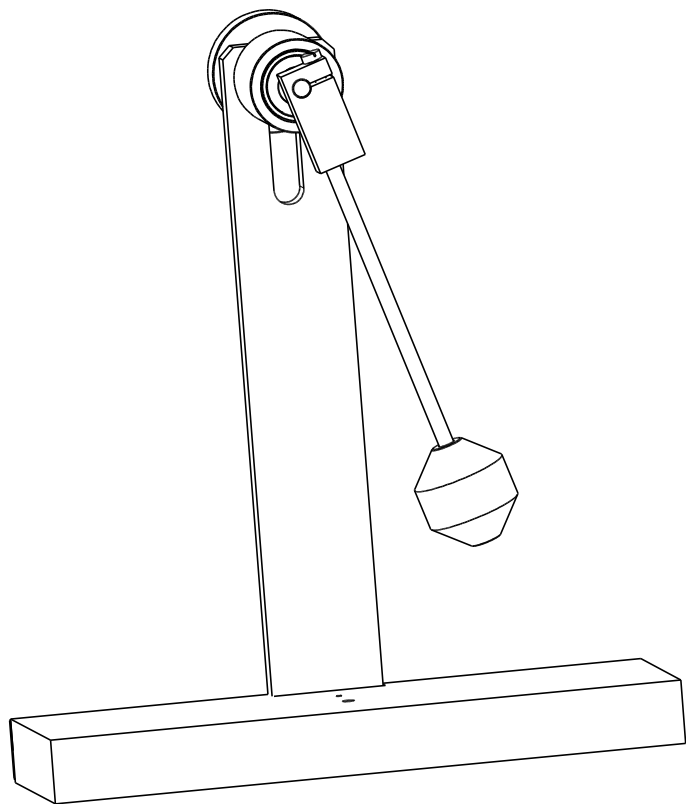
D

A

B

C

D



Drawn by JltK	CHKD BtcK	30 May 2016		Scale 1:2
----------------------	------------------	--------------------	--	------------------

**Minimag Co.
Brightstone
Isle of Wight**



SPC - Pendulum Demo assembly views

Assembly views.ad_drw

Edition
1

Sheet
1 of 1