

1 2 3 4 5 6

A

B

C

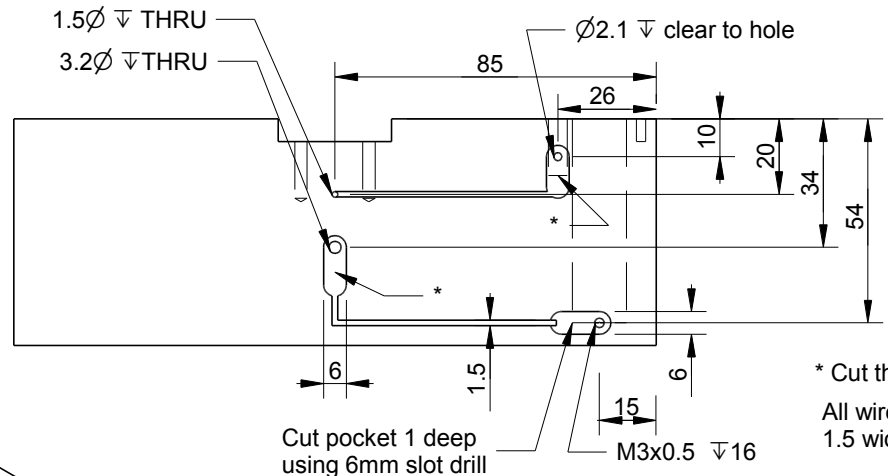
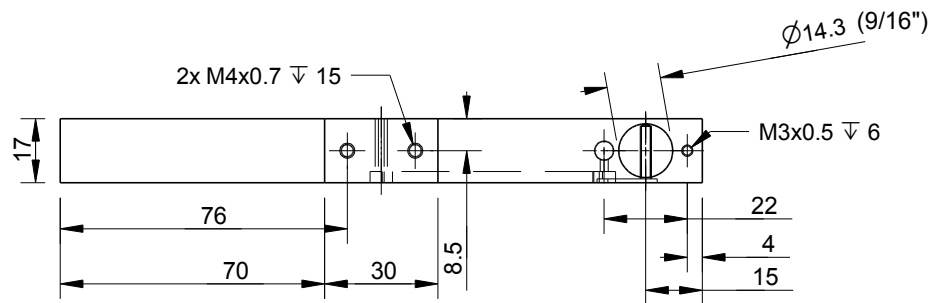
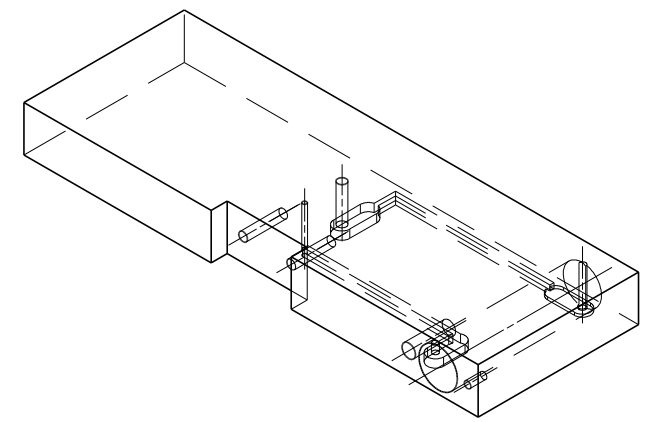
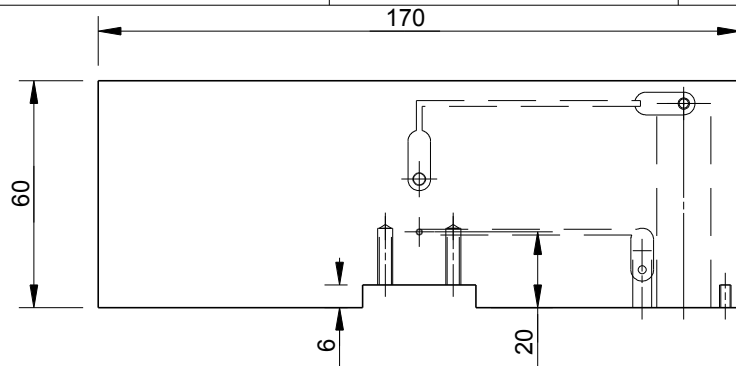
D

A

B

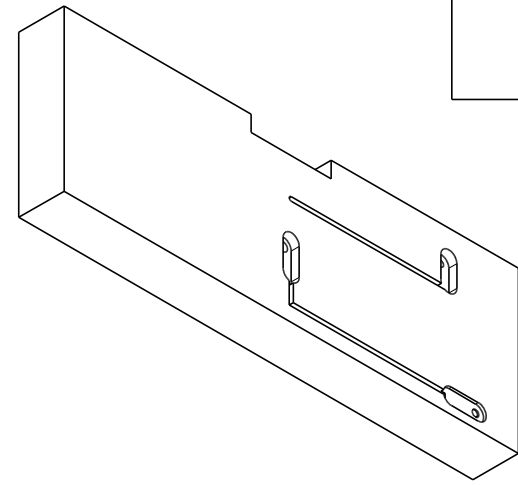
C

D



* Cut these pockets 3 deep using a 6mm slot drill
 All wire channels
 1.5 wide by 3 deep

Cut pocket 1 deep using 6mm slot drill



Drawn by JItK	CHKD BtcK	MTL BLACK ACETAL	29 May 2016	Scale NTS
Minimag Co. Brighstone, Isle of Wight		SPC - Pendulum demo. Base and upright		
		Baseblock.ad_drw	Edition 1	Sheet 1 of 1

