

1

2

3

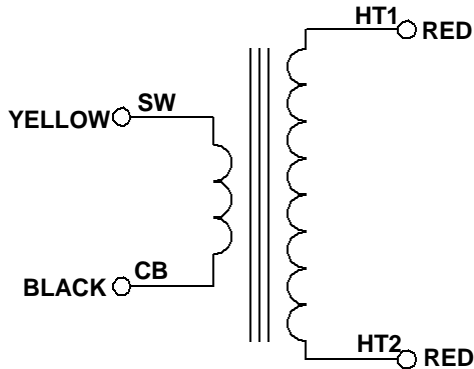
4

5

6

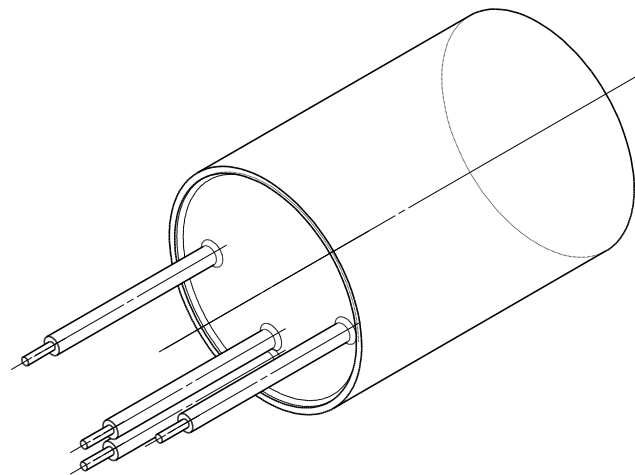
A

A



Set plug gaps 0.025" maximum

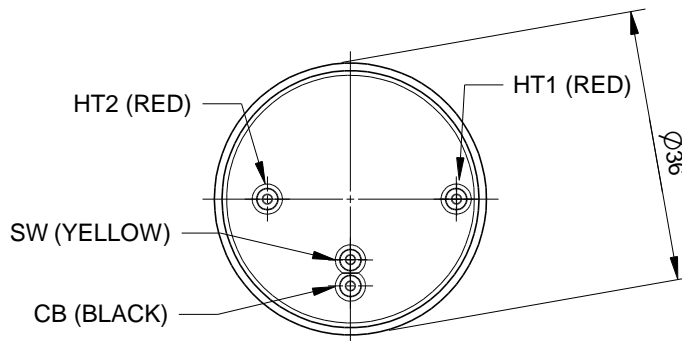
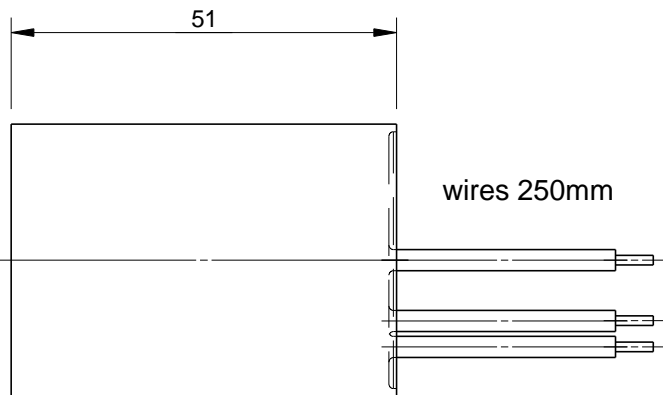
DO NOT:
Operate with HT leads disconnected.
Exceed the specified plug gap.



B

B

For two cylinder engines. Fires both plugs simultaneously ("wasted spark").



C

C

For best results, use this coil with the Minimag MIC-1 Ignition Controller on a 6 volt supply. For higher voltages a suitable ballast resistor may be needed. Please ask.

Operation with breaker points is possible. An external condenser will be needed and will be supplied FOC on request.

D

D

Drawn by jk	CHKD bk		2 Jan 2011	Scale 1:1
Minimag Co. LINGFIELD Surrey Made in England		Novus-2 Ignition Coil		Edition A
				Sheet 1 of 1

1

2

3

6