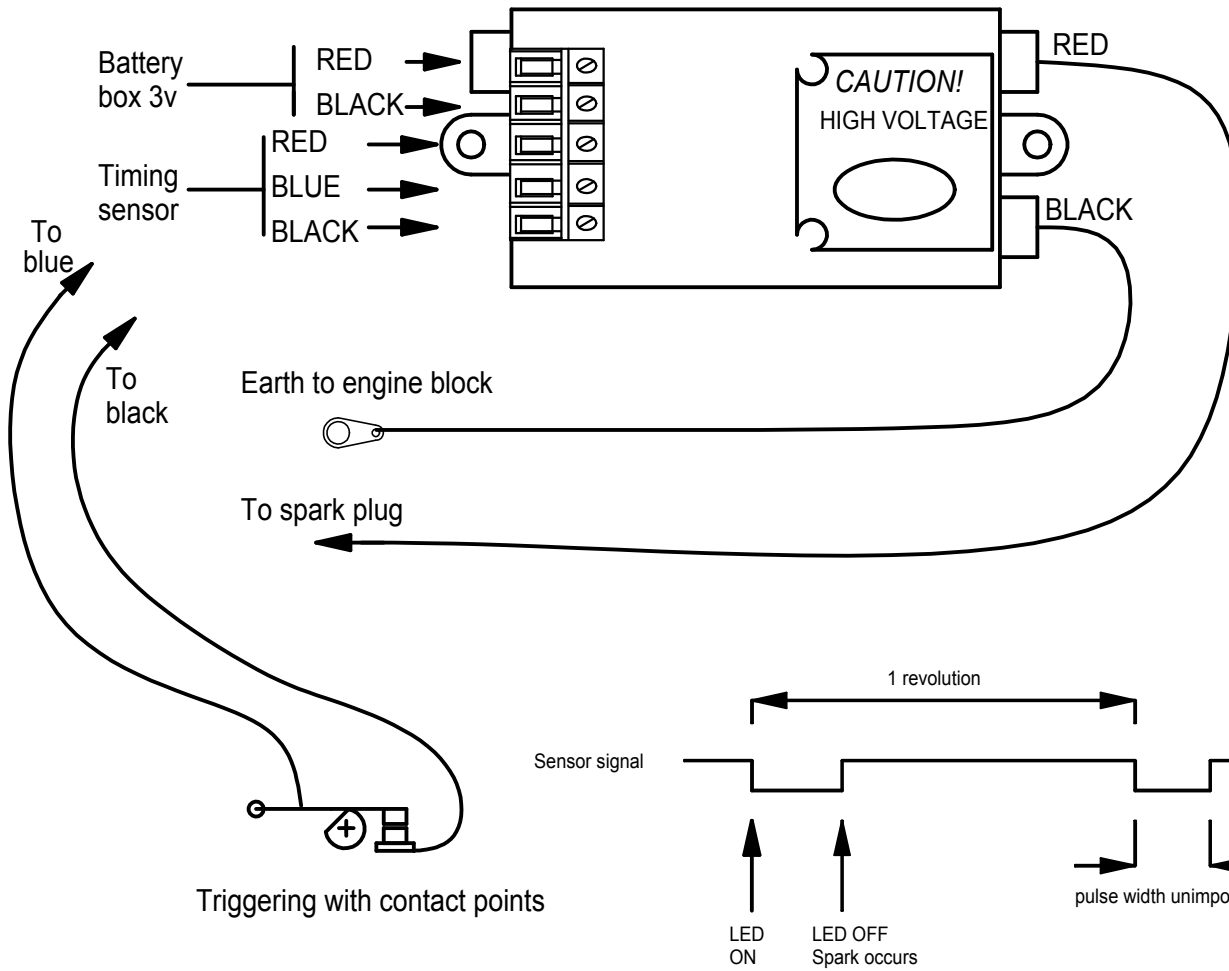
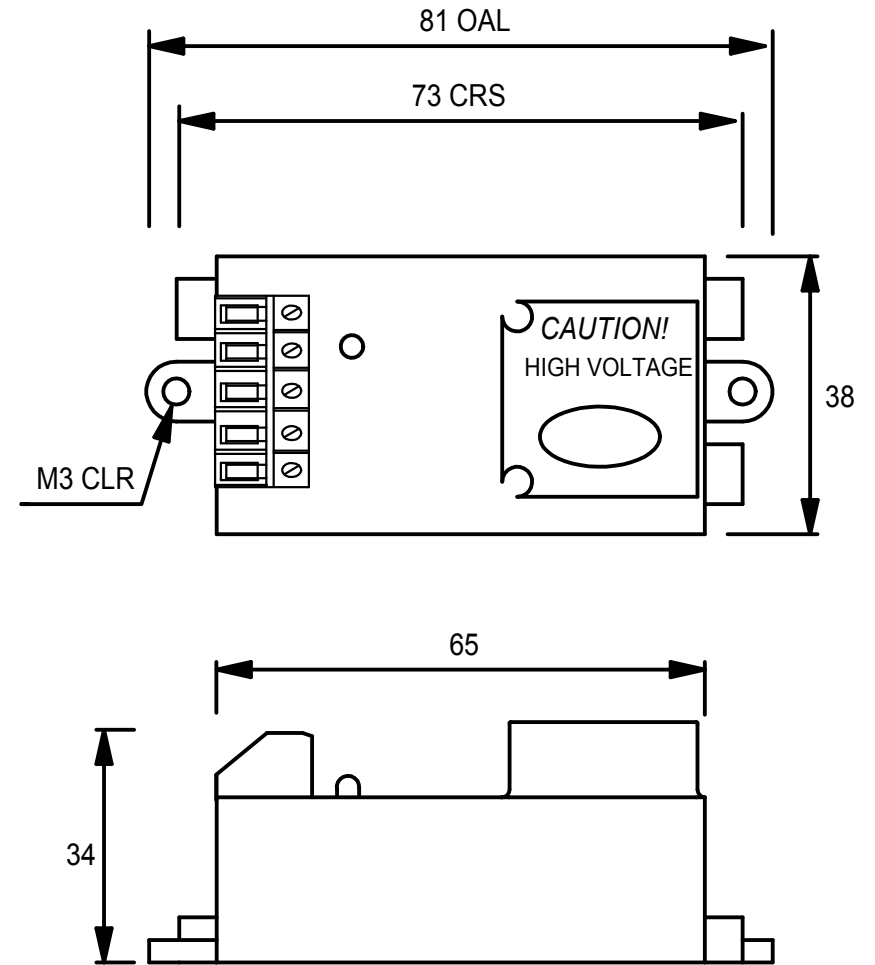


Wiring Diagram



Outline Drawing and Data



Do not exceed 3 volts supply.

Maximum 50Hz sustained

Use only low voltage Hall sensor type MHS-LV or contact points triggering.

DRWN jk	CHKD	Date 1 March 2015
DRWG 1 of 1	REV2	File MCL-1.fcw

Minimag Co.
Brighstone, Isle of Wight, UK

Minimag Capacitor Ignition Type MCL-1

Outline & Connections